

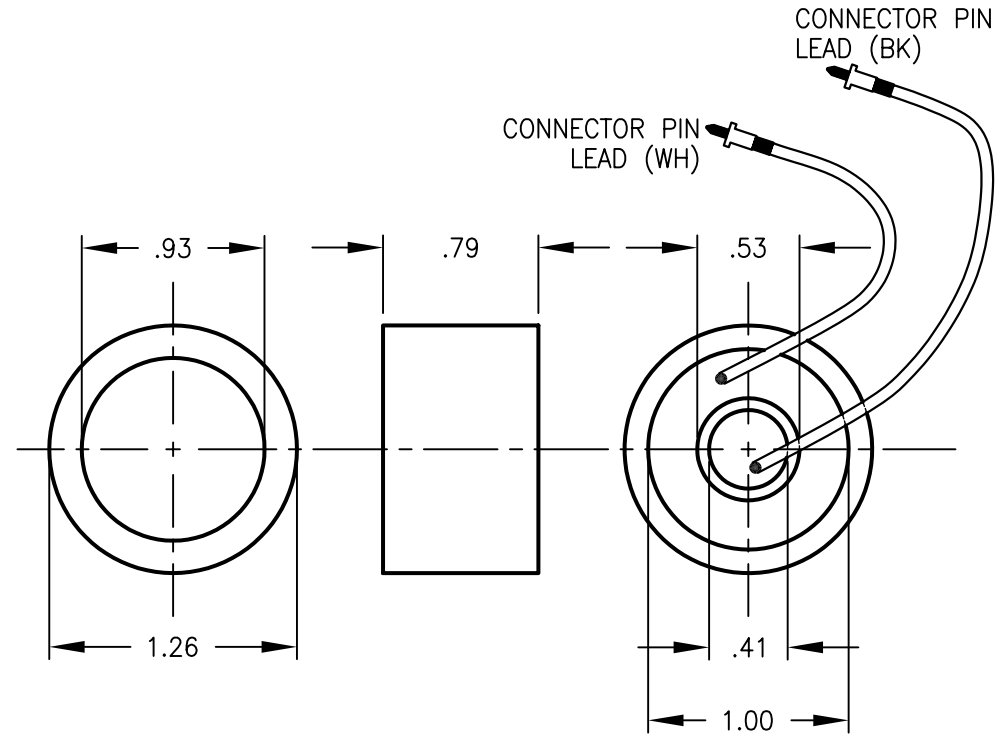
NOTES: UNLESS OTHERWISE SPECIFIED

1. LABEL A-10084M WHITE.
2. BACKPLATE POLARITY:  
 CENTER FOIL NEGATIVE (-)  
 OUTER FOIL POSITIVE (+)
3. ASSEMBLE PACKAGE IN A GAS BARRIER BAG.

SPECIFICATIONS

1. OUTPUT - (200±40 MICROAMPS) IN AIR AT 25°C, SEA LEVEL.
2. RANGE - 0-100% OXYGEN.
3. ACCURACY - WITHIN ±1% OF FULL SCALE AT CONSTANT TEMPERATURE AND PRESSURE.
4. RESPONSE - LESS THAN 30 SECONDS FOR 90% OF FINAL VALUE.
5. OFFSET - LESS THAN 0.5% OXYGEN EQUIVALENT AT 25°C (77°F) IN ZERO GAS AFTER 3 MINUTES.
6. HUMIDITY - 0 TO 99% R.H. (NON-CONDENSING).
7. OPERATING TEMPERATURE RANGE - 0 TO 40°C (32 TO 104°F).
8. TEMPERATURE COEFFICIENT - (2.5%/°C) AT 25°C.
9. STORAGE TEMPERATURE - 0 TO 50°C (32 TO 122°F).
10. AVE.EXPECTED CELL LIFE - DEPENDS ON APPLICATION.
11. CROSS INTERFERENCE - LESS THAN 1.25% O2 RESPONSE TO: 6% HALOTHANE, 6% ISOFLURANE, 6% ENFLURANE 7% SEVOFLURANE, 20% DESFLURANE, IN 30% O2/70% N2O MIXTURE (CONFIGURED FOR IMPROVED PERFORMANCE IN N2O).
12. WEIGHT - 0.9 oz. (26 GRAMS).

REVISIONS				
REV	DESCRIPTION	DATE	APP.	REV. BY
0	REL. PER ECO# 96-976	5/15/97	M.G.	--



ITEM	QTY	PART NO.	DESCRIPTION				
BILL OF MATERIAL							
DO NOT SCALE DWG		THIS DRAWING IS THE PROPERTY OF TELEDYNE ANALYTICAL INSTRUMENTS AND CONTAINS CONFIDENTIAL INFORMATION. IT IS NOT TO BE COPIED, REPRODUCED OR USED WITHOUT WRITTEN PERMISSION.					
TOLERANCE UNLESS OTHERWISE SPECIFIED: ANGULAR ±1/2°		Teledyne Analytical Instruments A business unit of Teledyne Electronic Technologies CITY OF INDUSTRY, CALIFORNIA 91748					
LINEAR { <table style="display: inline-table; vertical-align: middle;"> <tr><td>.X</td><td>= ±.1</td></tr> <tr><td>.XX</td><td>= ±.02</td></tr> <tr><td>.XXX</td><td>= ±.005</td></tr> </table>				.X	= ±.1	.XX	= ±.02
.X	= ±.1						
.XX	= ±.02						
.XXX	= ±.005						
SIGNATURES		DATE	TITLE				
N/	DRFT: <i>Maritz</i>	5/8/97	SPEC. CONTROL DWG. OXYGEN SENSOR CLASS C2R				
P/	CHK:						
I/	APPR:						
F/	ENGR: MICHAEL GONZALEZ						
O/	S.O.:						
REFERENCE	CAD I.D. A67150-0						
		MATL. NOTED	SCALE NONE				
		DWG NO. A-67150	SIM A-61745				
			SHEET 1 OF 1				
			REV 0				