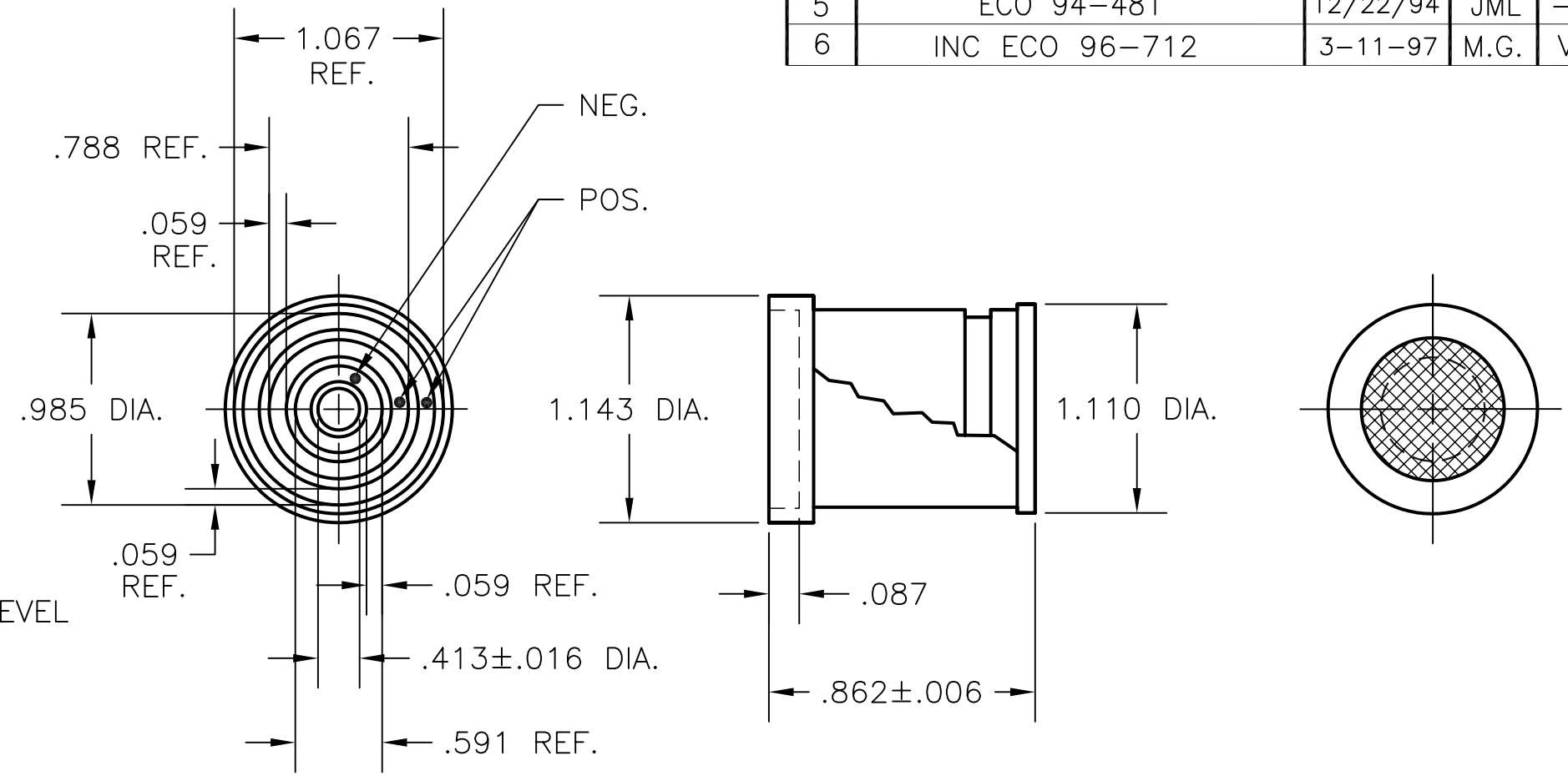


NOTES: UNLESS OTHERWISE SPECIFIED.

1. LABEL P/N A-41010 OR PER CUSTOMER SPECIFICATION.
2. BACKPLATE POLARITY:
 CENTER FOIL NEGATIVE (-).
 MIDDLE & OUTER FOIL POSITIVE (+).
3. ASSEMBLY TO BE PACKAGED IN A GAS BARRIER BAG.
 (INCLUDING INSTRUCTION CARD FOR REMOVING
 SHORTING DEVICE).

REVISIONS				
REV	DESCRIPTION	DATE	APP.	REV. BY
5	ECO 94-481	12/22/94	JML	--
6	INC ECO 96-712	3-11-97	M.G.	VF



SPECIFICATIONS:

- 1) OUTPUT - (59 +/- 11 MICROAMPS) IN AIR AT 25 °C, SEA LEVEL
- 2) RANGE - 0-100% OXYGEN
- 3) ACCURACY - WITHIN +/- 1% OF FULL SCALE AT CONSTANT TEMPERATURE AND PRESSURE.
- 4) RESPONSE TIME - LESS THAN 15 SECONDS FOR 90% OF FINAL VALUE.
- 5) OFFSET - LESS THAN 0.5% OF OXYGEN EQUIVALENT AT 25°C (77°F) IN ZERO GAS AFTER 1.5 MINUTES.
- 6) CROSS INTERFERENCE - LESS THAN 1.25% O2 RESPONSE TO: 6% HALOTHANE, 6% ISOFLURANE, 6% ENFLURANE, 7% SEVOFLURANE, 20% DESFLURANE IN 30% O2/70% N2O MIXTURE.
- 7) HUMIDITY - 0 TO 99% R.H. (NON-CONDENSING).
- 8) OPERATING TEMPERATURE RANGE - 0 TO 40 °C (32 TO 104 °F)
- 9) TEMPERATURE COEFFICIENT - (2.5%/°C) AT 25 °C.
- 10) STORAGE TEMPERATURE - 0 - 50 °C AT (32 TO 122 °F).
- 11) EXPECTED CELL LIFE - 36 MONTHS IN AIR AT 25 °C AND 50% R.H.
- 12) WEIGHT - 0.9 OZ (26 GRAMS)

ITEM	QTY	PART No.	DESCRIPTION
BILL OF MATERIAL			
DO NOT SCALE DWG		THIS DRAWING IS THE PROPERTY OF TELEDYNE ANALYTICAL INSTRUMENTS AND CONTAINS CONFIDENTIAL INFORMATION. IT IS NOT TO BE COPIED, REPRODUCED OR USED WITHOUT WRITTEN PERMISSION.	
TOLERANCE UNLESS OTHERWISE SPECIFIED: ANGULAR ±1/2°		 Teledyne Analytical Instruments A business unit of Teledyne Electronic Technologies CITY OF INDUSTRY, CALIFORNIA 91748	
LINEAR { .X = ±.1 { .XX = ±.02 { .XXX = ±.010			
S/	SIGNATURES		DATE
N/	DRFT: MARITZA		8/19/94
I/	CHK:		
P/	APPR:		
O/	ENGR: JML		
F/	S.O.:		
REFERENCE	CAD I.D. B44182-6		
TITLE			SCALE NTS
OXYGEN SENSOR CLASS R15 SPEC. CONTROL DWG			SIM B-62200
			SHEET 1 OF 1
MATL.		DWG NO.	REV
-----		B-44182	6